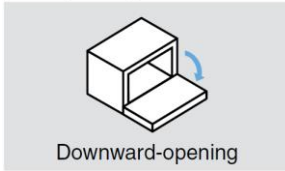


GBF-2 Lid Stay

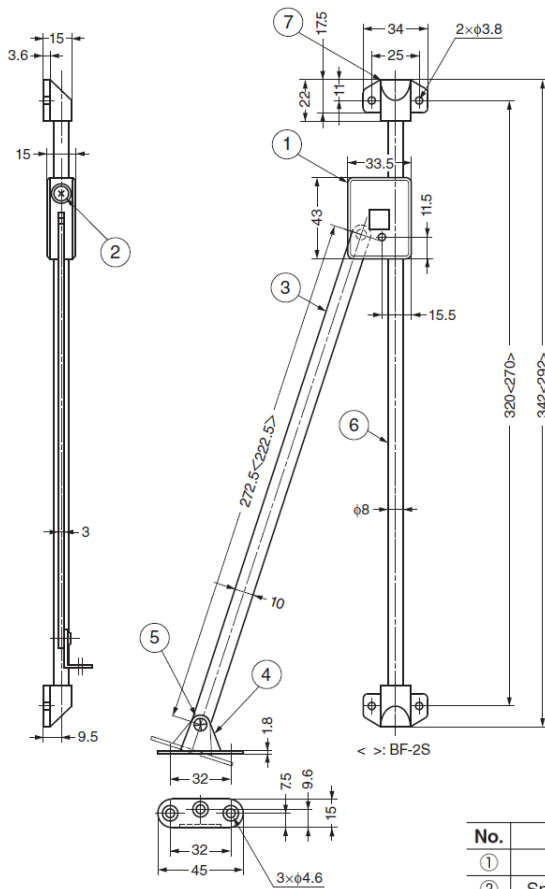
Downward opening

Opening Direction

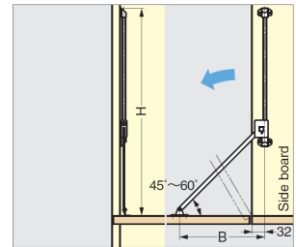
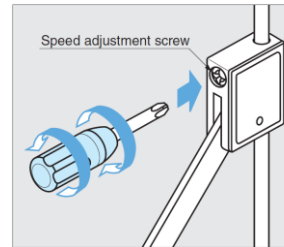


Features

- Speed adjustable
- Non-handed



Speed Adjustment



Notes

- Door size: max. width 900 mm x height 400 mm (max. weight 6 kg)
- Please use only a single stay per door
- In case items are placed on the door or maintenance is being performed on the door, further reinforcement besides the stay is required

No.	Part Name	Material	Finish/Colour
①	Brake	Polyacetal (POM)	White/Black
②	Speed Adjustment Screw	Steel	Chrome
③	Stay	Steel	Chrome
④	Bracket	Steel	Chrome
⑤	Screw	Steel	Chrome
⑥	Rod	Steel	Chrome
⑦	Bracket	Polyamide (PA)	White/Black

Part No.	Colour	H		B	
		Max. (60°)	Min. (45°)	Max. (60°)	Min. (45°)
GBF-2SW	White	459	424	130	177
GBF-2SB	Black				
GBF-2LW	White	552	509	156	212
GBF-2LB	Black				